

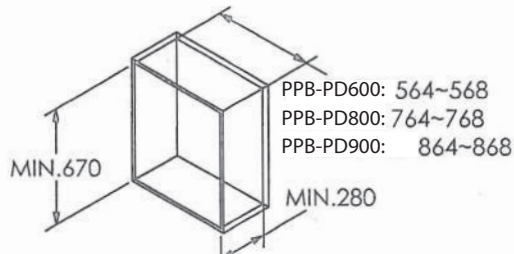
# Premium Pull Down 560mm - PPB-PD600

## Installation Manual For EleVator

### 1. Accessories:



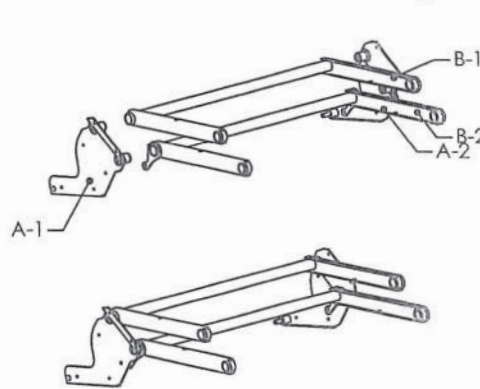
2. Measurement of suitable cabinet(Inside Width):  
 PPB-PD600: D280\*W560\*H650  
 PPB-PD800: D280\*W760\*H650  
 PPB-PD900: D280\*W860\*H650



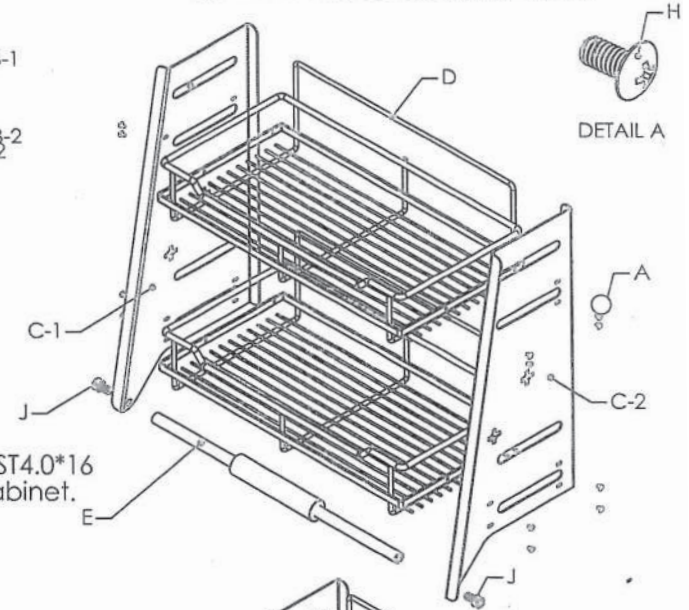
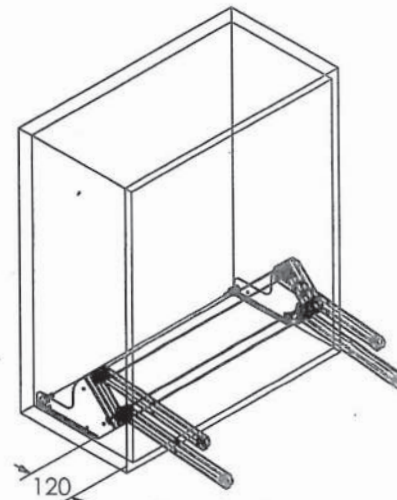
### 3. Installation Manual:

(1)、The fixing of lifting bracket, fittings: A-1, A-2, B-1, B-2. Please refer to Drawing one

(3)、Fix the baskets unit, fittings: C-1, C-2, D, E, H, J, Please refer to Drawing Three

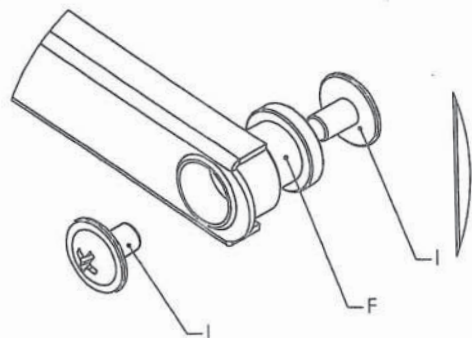
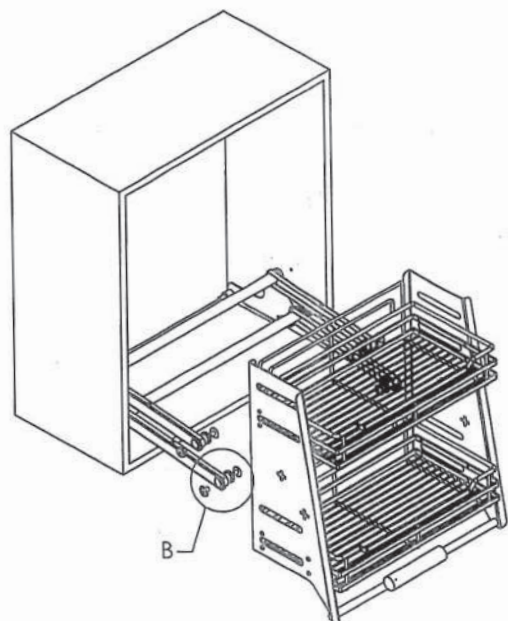


(2)、Fix the lifting bracket unit with the ST4.0\*16 cross-countersunk screws in the cabinet.



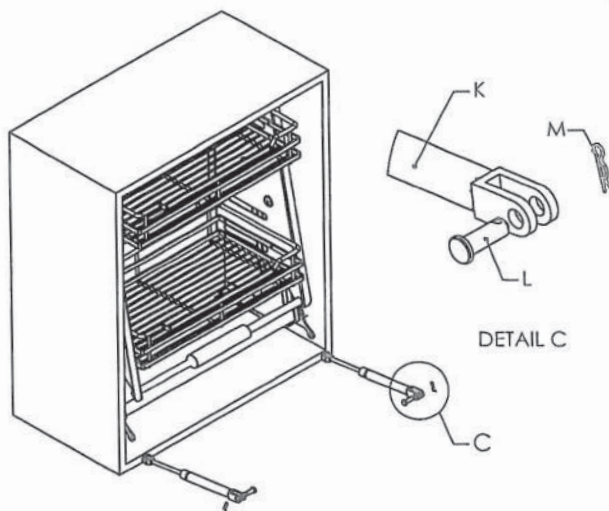
# Premium Pull Down 560mm - PPB-PD600

(4). Fix the baskets unit on the lifting bracket with the fittings of F. I Please refer to Drawing Four.



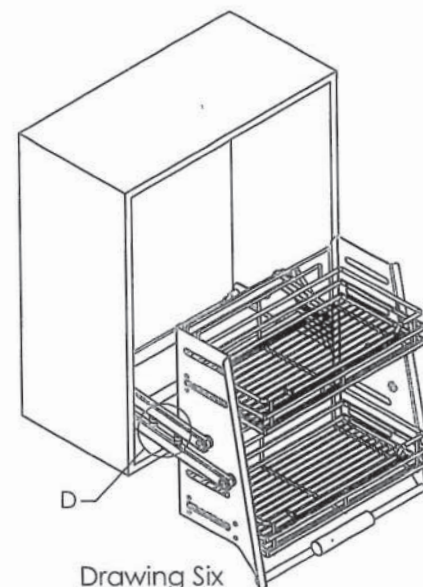
DETAIL B  
Drawing Four

(5). Fix the pneumatic pole, fittings:K.L.M, Please refer to Drawing Five



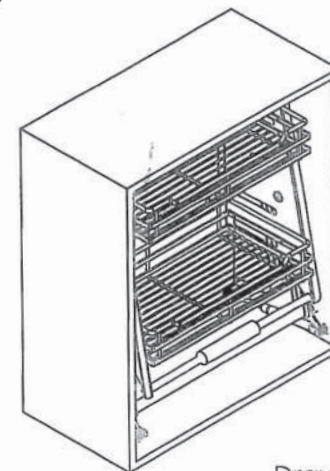
Drawing Five

(6). The installation of stretch block, fittings:G, Please refer to Drawing Six. (Please be careful of your fingers in the installation)



Drawing Six

(7). The fixing is finished. Please refer to the Drawing Seven



Drawing Seven