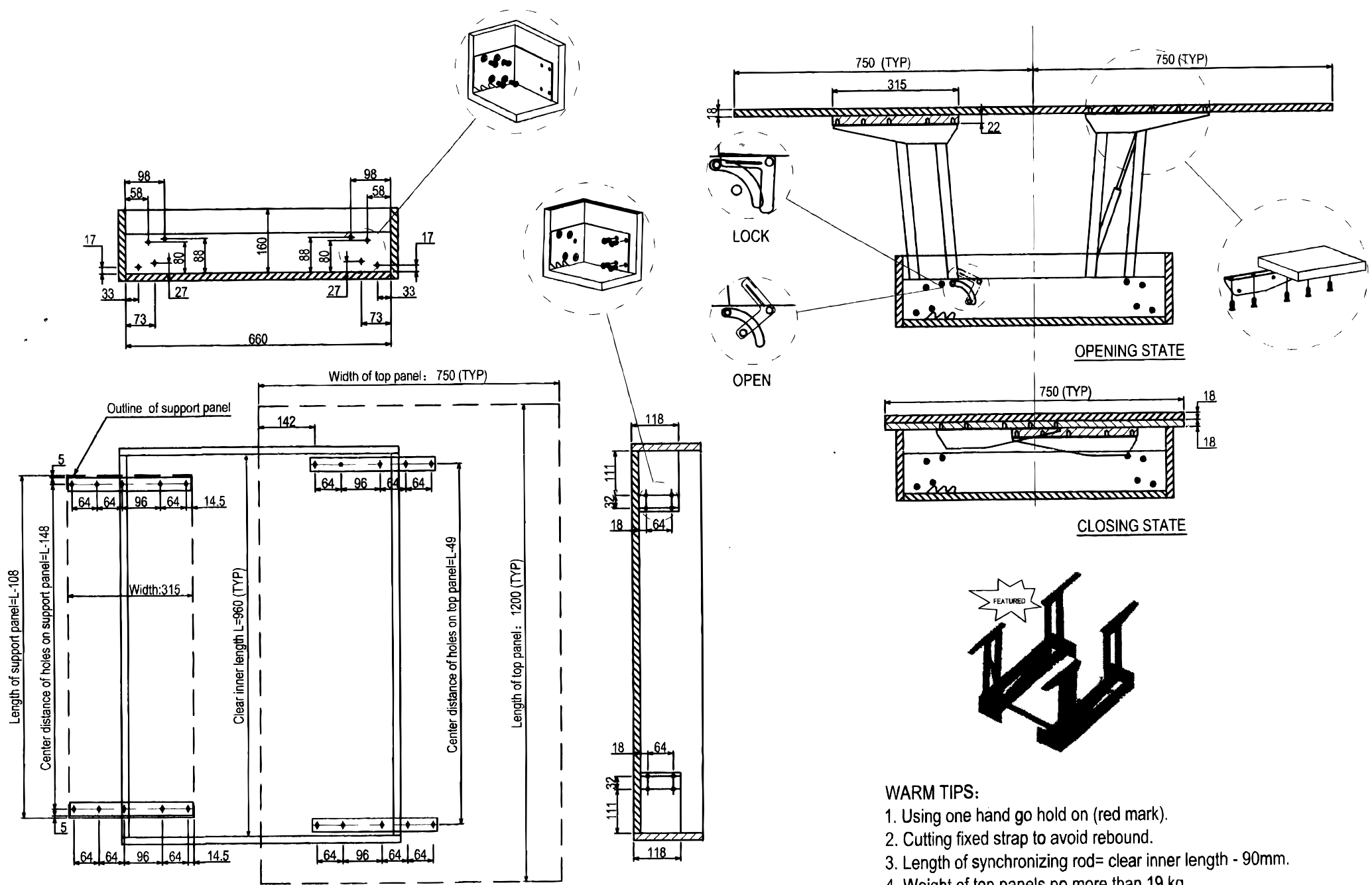


Dining Table Mechanism With Damper : BDT-1



WARM TIPS:

1. Using one hand go hold on (red mark).
2. Cutting fixed strap to avoid rebound.
3. Length of synchronizing rod = clear inner length - 90mm.
4. Weight of top panels no more than 19 kg.