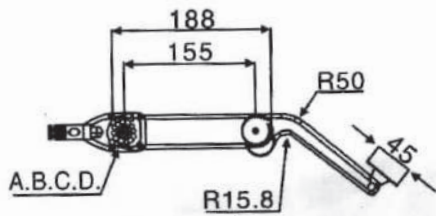
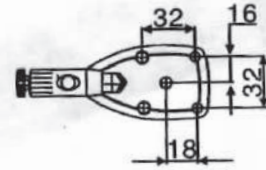


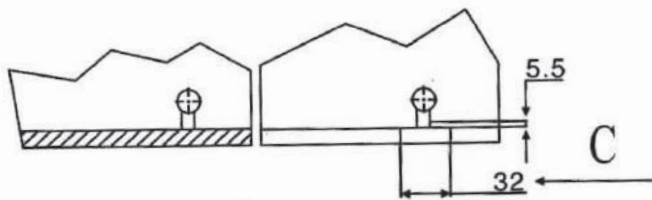
Lid Stay-Hydraulic Heavy Duty - BCF-HLS-3



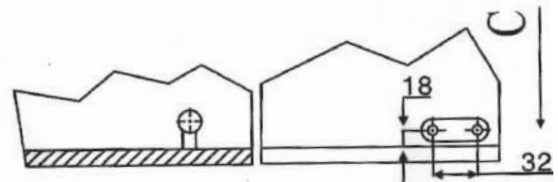
Forces Adjustment:



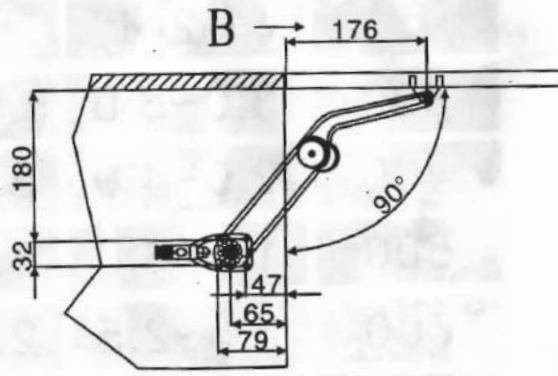
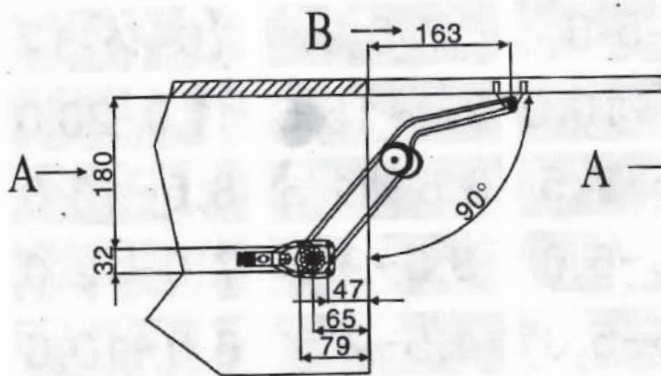
For Aluminium Frame Door



Aluminium Frame Door



Wood Door



Usage date		A	B	C
Wood door	75°	205	198	32
	90°	180	176	32
	110°	180	128	32
Aluminium frame door	75°	205	190	32
	90°	180	163	32
	110°	180	116	32