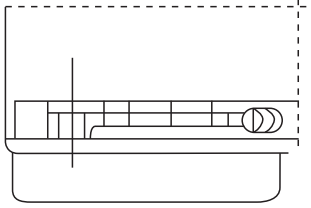
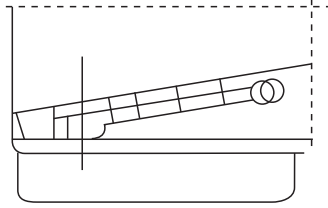


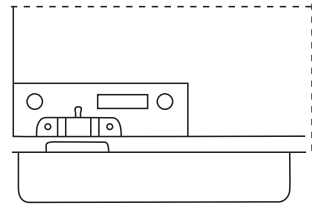
① Wooden door Iron door Aluminium door



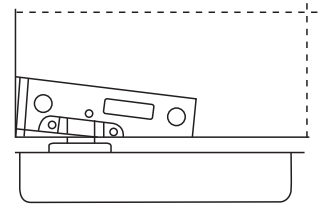
1. Right



2. Wrong



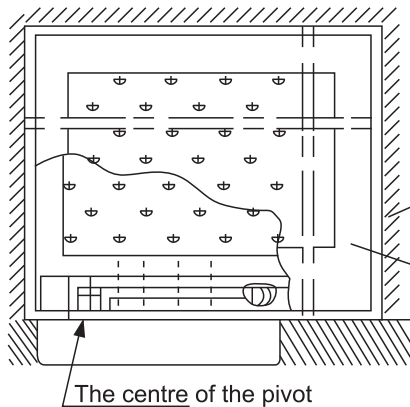
3. Right



4. Wrong

**Notes:**

- If Installing like Number 1 and 3, it will be stable, flexible and free of noise during application
- If Installing like Number 2 and 4, there will noise when opening and closing the door during application
- If screw is not tightened, the door will sway during application



Dust Proof Cover

Door Frame

Door Leaf

The centre of the pivot

**Notes:**

1. The under adjusting screw must prop the door side to fix the door.
2. Install dust proof cover on the centre of the pivot, or oil leakage and other adverse results will be caused. The company shall not be liable for the above results.



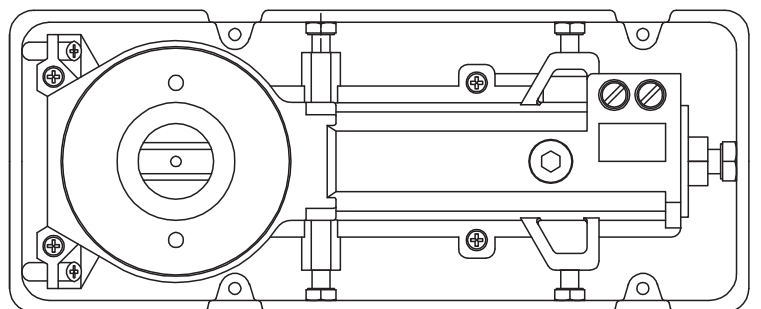
The Fixing Screw (rivet is forbidden)  
Do not using rivet that would make damage.

**Warning:**

Do not grind or cut the bevel of the pivot in any case. That would make noise and swing when open or close the door. We will not have the responsibility for that.

Installation finished, the closing speed is regulated by speed control hole (needle), left for quick and right for slow. If speed adjustment unfinished, it is forbidden to push or pull the door to prevent door and floor spring damage.

After adjusting the sites of floor springs, tighten the screw nuts to fix the floor springs, or it will sway during application.



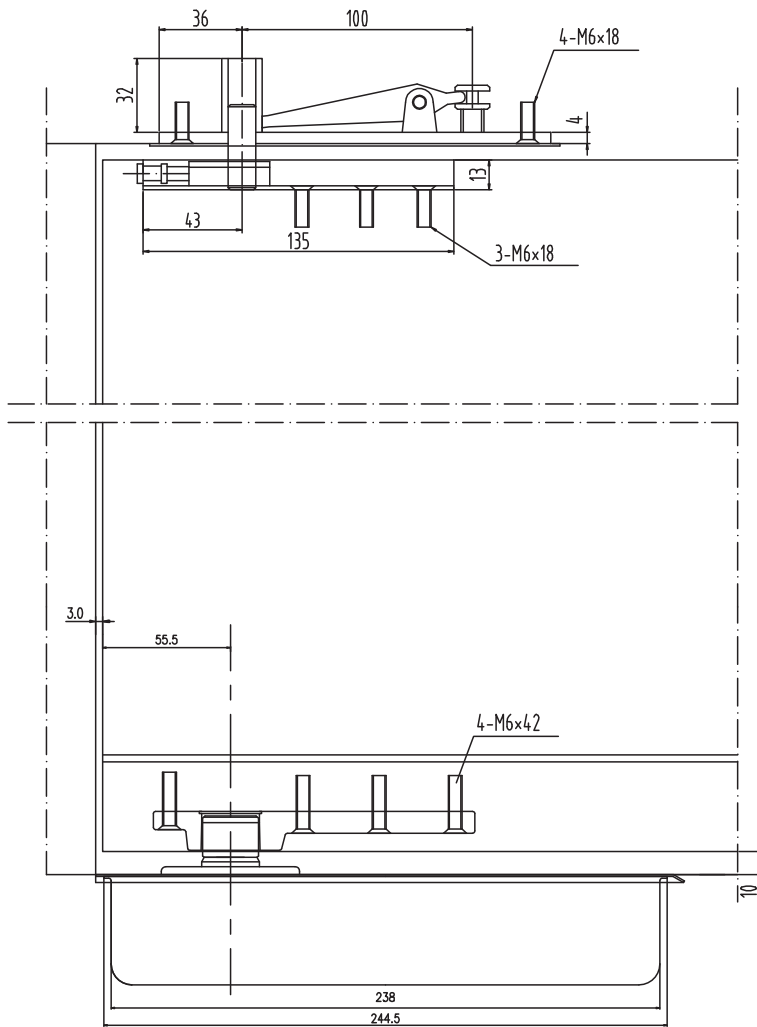


Simplifying Spaces

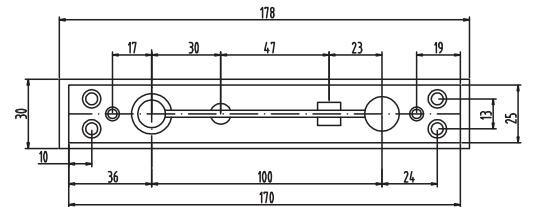
SINCE 1979

# Two-way Operating Floor Hinge With Shaft

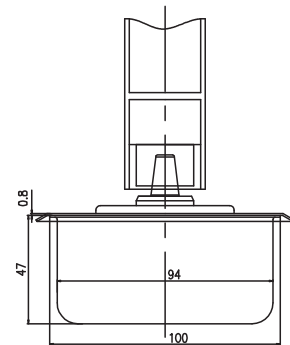
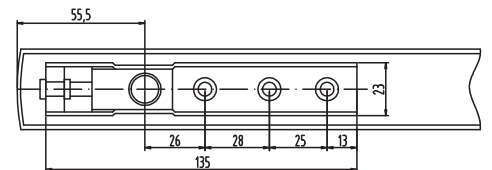
With 90° stop-device MAX.116° open



Top pivot (top jamb side)

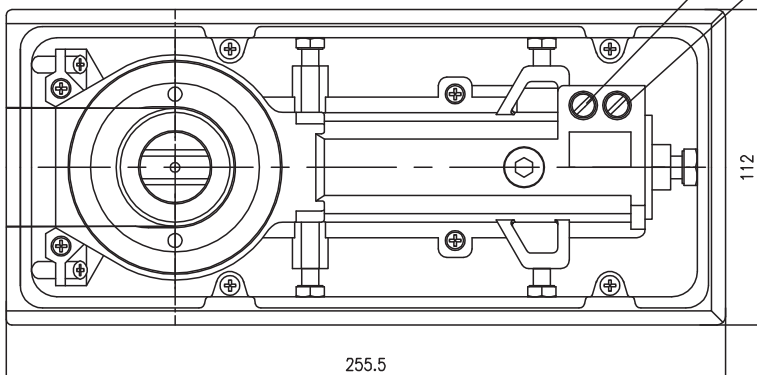


Top pivot (Door side)

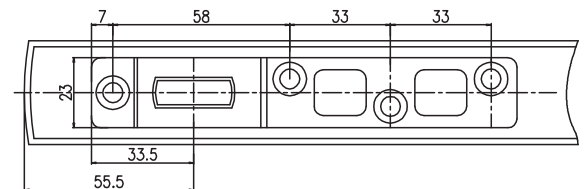


Notes:

- A is speed adjustment between 116° and 20°
- B is speed adjustment between 20° and 0°



Top pivot (Door side)



| Model        | Door Width(mm) | MAX. Door Weight (kg) |
|--------------|----------------|-----------------------|
| BFS-E-40-60A | 800            | 60                    |